

MMY Park + Rec Various Minneapolis Park Shelters

Architect
Minneapolis Park
and Recreation
Board

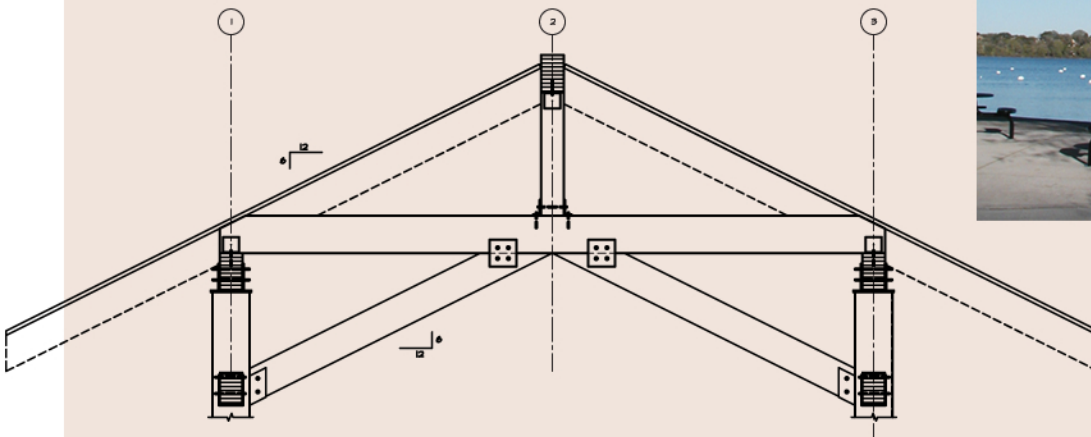
Contractor
City of Minneapolis

Location
Minneapolis, MN

All-weather park shelters for longevity and beauty.

Lake Harriet and Minnehaha Park now have new park shelters constructed with glu-lam beams, galvanized steel columns and custom beam to beam connections. MMY provided designs focused on simplicity and longevity.

These structures were designed to be robust as well as aesthetically pleasing. The sizes of the glu-lam members and the structural detailing were chosen to satisfy architectural requirements and carry the wind and snow loads imposed on them.



See the latest projects at
www.MattsonMacdonald.com

