

MMY Historical Renovation Chambers Hotel

Architect

Shea Architects

Contractor

Ryan Companies

Location

Minneapolis, MN

Awards

2006 AIA
Minnesota
Honor Award

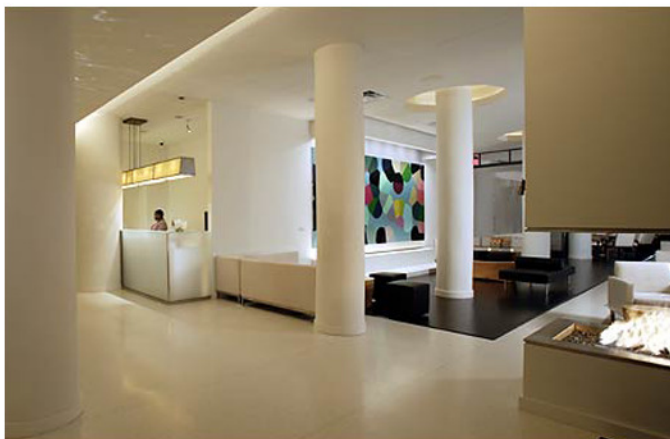
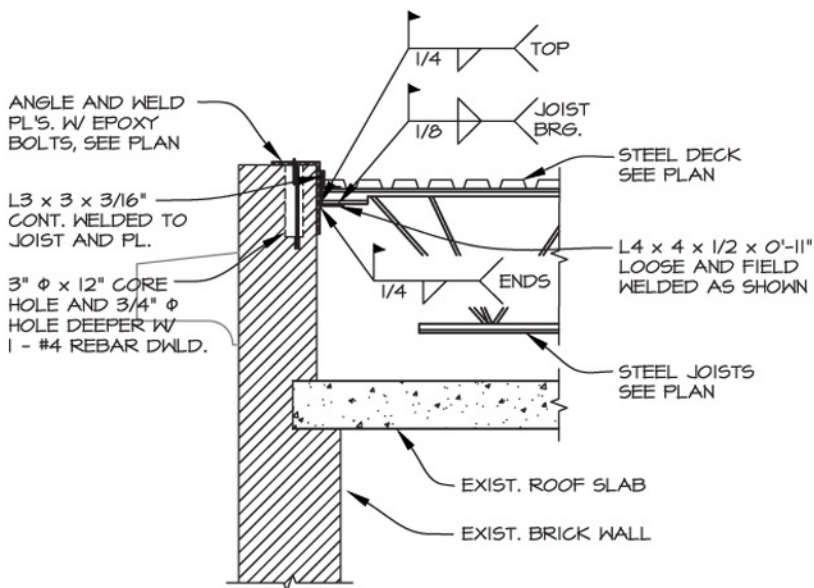
Upscale hotel and restaurant renovation.

This challenging project resulted in joining two historic multi-story buildings with a new structural steel framed link. If that wasn't enough, an additional story was added onto both historic buildings to create a large boutique hotel with two bars and a restaurant.

Our structural design had many hurdles to overcome. Multiple large art displays throughout the building required additional structural support. Simple and strong visual

lines desired by the owner and architects required hiding structural members to maximize ceiling height and window openings.

Since both historic buildings had been constructed soon after the turn of the century, and the fact that a story was added to them, much of the existing structure had to be reinforced with steel, concrete and fiber reinforced plastic. MMY was involved during planning stages, demolition, and



See the latest projects at
www.MattsonMacdonald.com

